



# Daisy



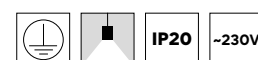
**EN** This pendant felt-made luminaire meets sophisticated user demands by combining sound-absorbing properties with contemporary lighting comfort in every modern office interior. Furthermore, Daisy luminaire is a handmade piece of art that gives sculptural experience when hanging in the collection. The Bloom Collection was designed in cooperation with Anna Spakowska.

**DE** Diese aus Filz gefertigte Pendelleuchte erfüllt anspruchsvolle Nutzeransprüche, indem sie schallabsorbierende Eigenschaften mit zeitgemäßem Lichtkomfort in jedem modernen Büointerieur verbindet. Darüber hinaus ist die Daisy-Leuchte ein handgefertigtes Kunstwerk, das beim Aufhängen in der Kollektion ein skulpturales Erlebnis vermittelt. Die Bloom Collection wurde in Zusammenarbeit mit Anna Spakowska entworfen.

## Quickinfo

	Daisy M Daisy L	■ 01 ■ 02	Daisy XL	■ 03
luminaire size	M Ø 800×350 L Ø 1000×400		XL Ø 1200×450	
light source size	Ø 140			
system power	↕15W standard ↕23W high			
luminous flux	↕1077lm / ↕1508lm			
UGR	<19			
color consistency	SDCM 3			
light distribution - down	40°			

## Technical information



luminous efficiency	74lm/W	
electrical control	ON/OFF	▲ 9
	DALI	▲ 8
color temperature	3000K	● 3
	4000K	● 4
luminaire color	black	◆ 01
	white	◆ 02
reflector color	black	* 01
	white	* 02
	silver	* 04
	gold	* 05
fabric color	Flexxica wool felt color palette FWxxxx - choose color from page 267	◆ FWxxxx

## Example

Daisy  
↑  
2128 - 02 - 2 - 8 - 4 - 01 - 01 - 2 - FW2318

standard power  
↑  
4000K

reflector black  
↑  
black

Flexxica wool felt color 2318  
↑  
color 2318

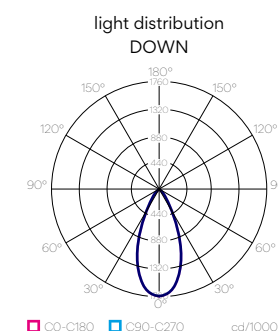
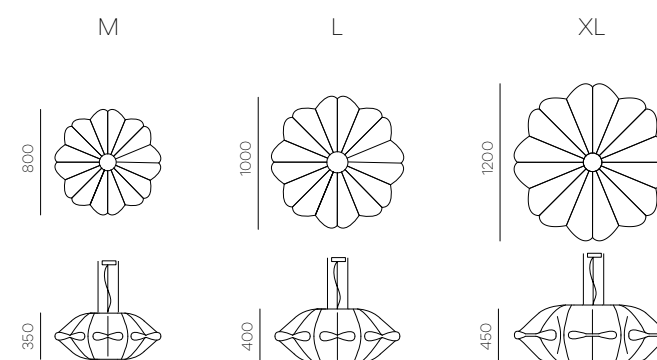
size L  
↓  
DALI

luminaire black  
↓  
black

pendant  
↓  
pendant

## Create my unique code!

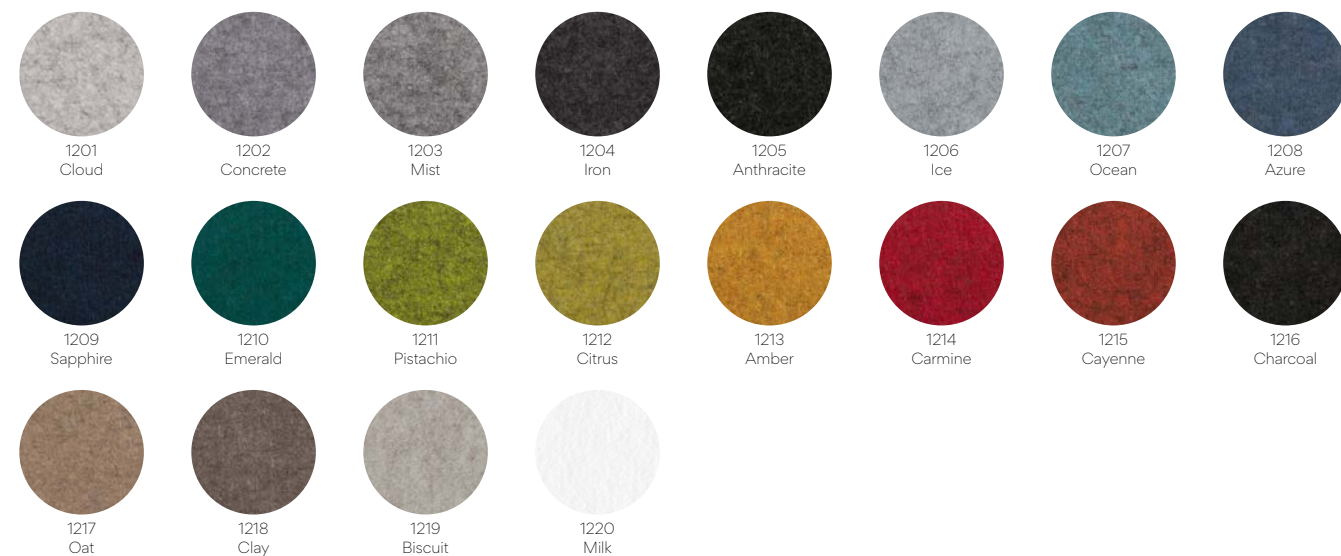
2128 - ■ - 2 - ▲ - ● - ◆ - \* - 2 - ◆



## ARCHI felt ecoPET 12 mm

**EN** The high-quality PET sound panels are robust, durable, and have a slightly textile surface that can be washed. They have excellent sound-absorbing properties, are flame-resistant and recyclable.

**DE** Hochwertige PET-Akustikplatten sind massiv, strapazierfähig, mit einer leicht textilen Oberfläche, die gewaschen werden kann. Sie haben hervorragende Schalldämmeigenschaften, sind schwer entflammbar und können recycelt werden.



## ARCHI felt ecoPET properties

### Measurements

2800 mm × 1200 mm × 12 mm

gross size

### Flammability Class

B-s1,d0

### Acoustic values

Mounting method	Directly on the wall	50 mm cavity	50 mm cavity + 50 mm rockwool	100 mm cavity	100 mm cavity + 100 mm rockwool
NRC (100–5000 Hz)	0.40	0.75	0.95	0.80	1.00
aw (100–5000 Hz)	0.25	0.60	1.00	0.80	0.95
Acoustic Class	D	C	A	B	A

## Flexxica wool felt 5 mm

**EN** Flexxica wool felt color palette is high-quality 5 mm thick felt. Wool felt has many technical uses, including, among others, in acoustics. The natural properties of wool make this felt not only look designer but also absorb noise and sound perfectly.

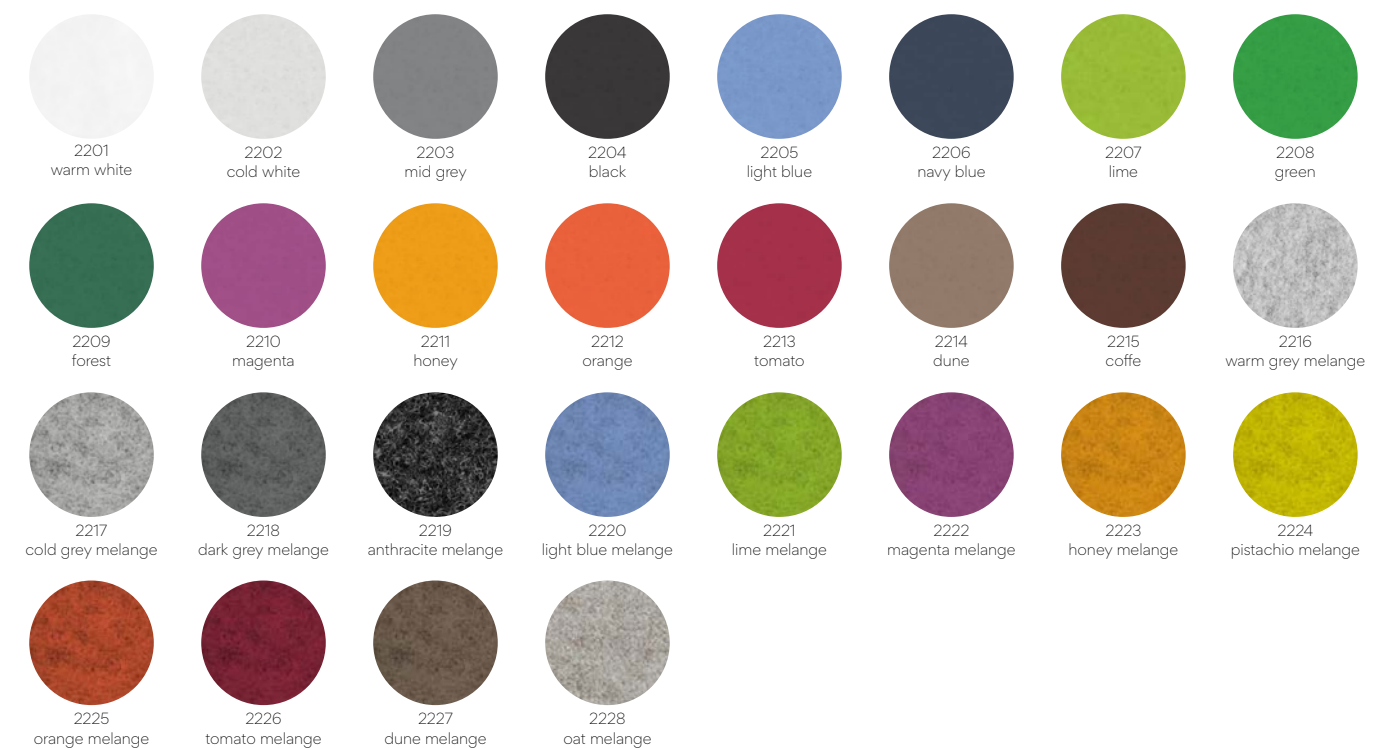
**DE** Die Farbpalette von Flexxica Wollfilz ist hochwertiger 5 mm dicker Filz. Wollfilze haben viele technische Anwendungen, u. a. in der Akustik. Die natürlichen Eigenschaften der Wolle verleihen diesem Filz nicht nur ein Design-Look, sondern auch eine perfekte Dämpfung von Lärm und Geräuschen.



## Flexxica felt 5 mm

**EN** Flexxica felt color palette is a wide range of flame-retardant design felts with a velour finish and high noise reduction properties. They are available in many colors, ideal for many decorative projects, including upholstery and interiors.

**DE** Die flexxica-Farbpalette für Filze ist eine große Auswahl an schwer entflammaren Designfilzen mit Velours-Finish und hohen Geräuschminderungseigenschaften. Sie sind in vielen Farben erhältlich, ideal für viele dekorative Projekte, einschließlich Polsterung und Innenausstattung.



# Guidelines for cleaning and maintenance of materials used in flexxica luminaires.

To maintain the beautiful color and appearance of flexxica lighting fittings, we recommend gentle vacuuming with a soft tip, preferably weekly.

## Stain removal – the golden rule

Remove the stain as soon as possible. Most stains can be removed with lukewarm water, possibly with the addition of a neutral detergent.

## Merino wool felt

Wool is antistatic and does not attract dirt like other fabrics. Wool is also water-repellent, so the liquids slowly penetrate the fabric.

Cleaning: First, soak up as much liquid as possible with a white kitchen towel or cloth. If the stain has dried, remove as much as possible with a vacuum cleaner. Wipe carefully with a clean white cloth.

## Upholstered material

Upholstery in flexxica luminaires is highly versatile and durable. The material is antistatic and fireproof, so stains are easily removed.

Cleaning: Do not wet the entire lampshade. Always use a clean white cotton cloth and only use small amounts of cleaning agent at a time.

## EcoPET material

The ecoPET is made of 60% recycled PET bottles. It is straightforward to maintain, and stains can be removed easily and hassle-free.

Cleaning: Never rub hard to remove a stain. Always use a clean white cotton cloth with a bit of detergent.

## Glass luminaires

Boya is made in a traditional blown-glass technology, therefore it requires special and delicate cleaning care.

Cleaning: Use a soft, lint-free microfiber or cotton cloth with distilled water (optimal) or mild glass cleaner or a solution of equal parts water and white vinegar. Wipe carefully with a clean white cloth.

## WARNING!

**Benzene, acetone, and similar solvent-based products may discolor the materials of the flexxica luminaires. Before use, apply a small amount of the product to an inconspicuous spot to ensure it doesn't cause any damage or discoloration.**

## flexxica

ul. Szyszkowa 43  
02-285 Warsaw  
Poland / European Union

+48 723 06 30 30  
hello@flexxica.com  
flexxica.com

## PHOTOGRAPHY

Dominika Rutkowska  
Ernest Wińczyk  
Fotomohito  
Patryk Lewiński  
PION Studio  
Szymon Polański

Copyright 2024 flexxica®

The flexxica® logo is a national and international registered trademark, held and owned exclusively by PL sp. z o.o. It cannot be reproduced or used, for commercial or other purposes, without the prior written permission of flexxica. This catalog cancels and replaces all previous editions. Flexxica has ensured that the information contained in this catalog is as accurate as possible; however, it declines all responsibility for any printing errors. Flexxica reserves the right to make modifications and improvements of a technical or aesthetic nature to the products at any time without notice. The reproduction (even partial) of this catalog, for any reason and with any means, is prohibited without the prior written permission of flexxica.

Please note that the actual appearance of flexxica's felt and fabric lighting fixtures may vary from the images shown in the catalog. This is because each type of felt and fabric possesses its own distinct characteristics. This is not a disadvantage of the luminaire but an advantage – each product is unique and unrepeatable.

Keep in mind that the colors of PET, felts, and fabric may differ slightly from what you see in the catalog. For the most accurate representation, we recommend referring to our sample book.

Due to the production process of both felt and PET, there may be slight variations in material between different production batches. Additionally, please take into consideration that PET boards have distinct left and right sides, along with a specific fiber arrangement. This is particularly important to consider when installing larger structures, such as wall-mounted panels.

Graphic Design: emenem.pl

Paper: Arctic Volume White 115g

Cover: Color STYLE Recycling 270g

Typeface: Gordita

Printed in Poland